



# 1000 OHM 385 PLATINUM RTD RANGEABLE TRANSMITTER MODEL T85U

## DESCRIPTION

The **Model T85U** is a field rangeable, two-wire, 4-20 mA RTD transmitter designed for use with Type 85 Platinum 385, 1000 $\Omega$  sensor.

To adjust the temperature transmitter, set the DIP switches to match the desired range and use the zero and span pots to fine tune. A high accuracy digital ohm meter and decade box are required.

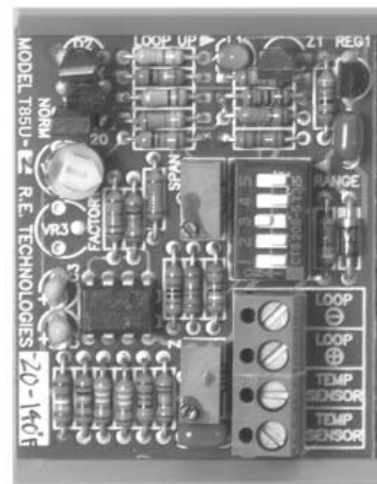
The **Model T85U** has a special 20 mA loop calibration test signal to provide easy system verification. Simply move the bottle plug jumper from norm to 20 mA. The loop up LED provides power indication for the 4-20 mA output.

## APPLICATION

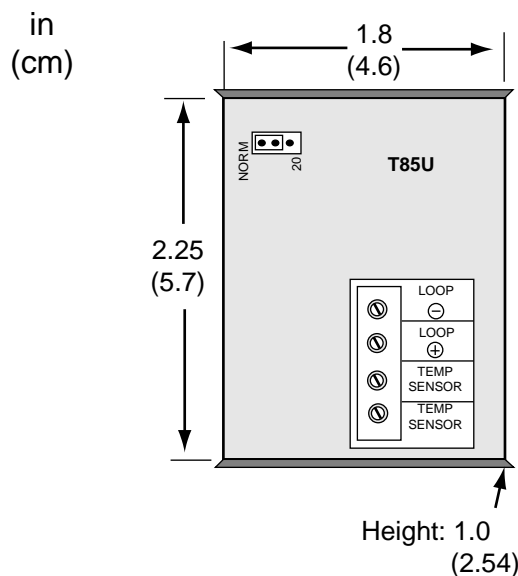
- **Transmitter for 1000 $\Omega$ , 385 Platinum RTD**

## FEATURES

- **Dip switch rangeable**
- **Loop calibration test signal**
- **Low cost**
- **Snap-track mounting**
- **Loop power LED indication**
- **CE certified**



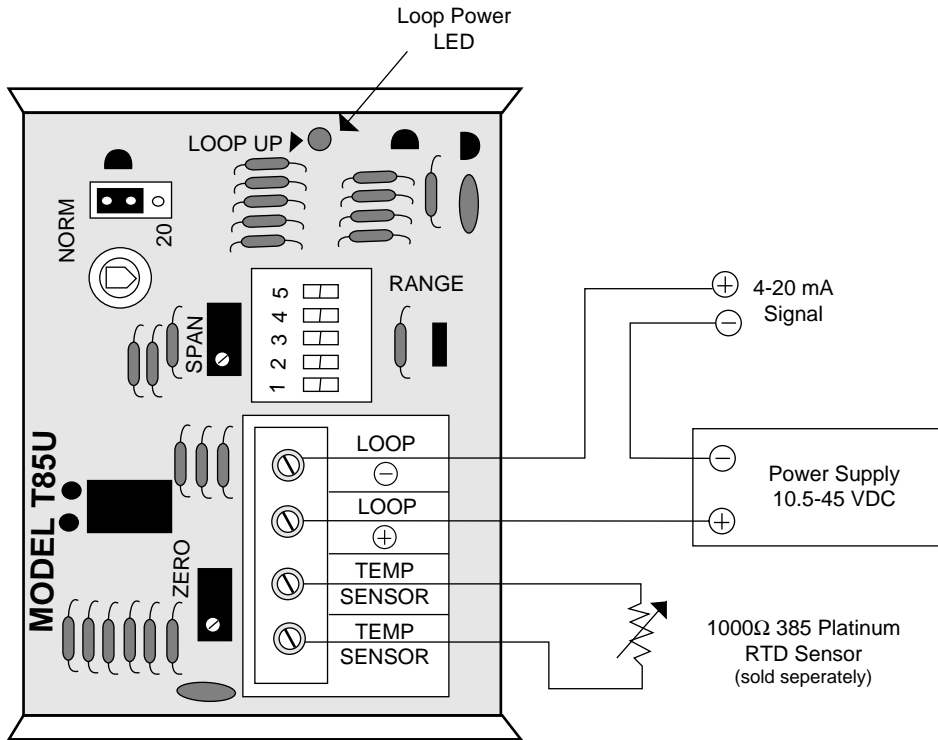
## DIMENSIONS



## SPECIFICATIONS

<b>Sensor input</b>	1000 $\Omega$ , Platinum 385 curve RTD	<b>Accuracy</b>	0.2°F or 0.4% of span
<b>Output</b>	4-20 mA, loop powered	<b>Ambient operating temp</b>	0° to 140°F (-18° to 0°C)
<b>Rangeability limits</b>	-30° to 250°F (-34° to 121°C)	<b>RTD current</b>	650 $\mu$ A
<b>Min span</b>	40°F (22°C)	<b>Dimensions</b>	1.8"W x 2.25"L x 1"H (4.6 x 5.7 x 2.5 cm)
<b>Supply voltage</b>	10.5-45 VDC	<b>Compatible RTD</b>	Type 85, Platinum 1000 $\Omega$ RTD
<b>Max impedance</b>	675 $\Omega$ @ 24 VDC		

## WIRING



## ORDERING INFORMATION

MODEL	DESCRIPTION
T85U	4-20 mA Rangeable RTD Transmitter
	<b>RANGE</b>
2	-20° to 140°F (-29° to 60°C)
3	0° to 100°F (-18° to 38°C)
4	30° to 240°F (-1° to 116°C)
XR <sup>†</sup>	Special range (See previous page for rangeability limits)
	<b>SENSOR TYPE</b>
—	Transmitter only
D	ST-D85-XW Duct Sensor*
O	ST-O85 Outside Air Sensor*
W	ST-W85-XW Immersion Sensor* with well
AV	ST-AV85H Averaging Sensor*
XWM	Single gang weather resistant box (Mounted without sensor)

T85U

2

D

**Example: T85U-2-D** Transmitter with range of -20° to 140°F (-29° to 60°C) mounted and wired in duct sensor enclosure

<sup>†</sup>Indicate at time of order

\*Includes sensor mounted and wired

**RANGE CALIBRATION (All units are factory calibrated before shipping)**

The **T85U** RTD transmitter can be field-calibrated by using the ZERO and SPAN potentiometers and DIP switches. Use the step-by-step instructions below to calibrate the **T85U** to the desired temperature range. For information about accuracy, see Special Notes on Field Calibration on the reverse side.

- Step 1** Assemble required equipment: temperature transmitter, 24 VDC power supply, decade box [Model **RSU-280 (Newark)** or equal], digital VOM [Fluke Model **87 (Newark)** or equal], trim screwdriver, RTD Resistance vs. Temperature Chart (see Temperature section of Kele catalog).
- Step 2** Using the RTD Resistance vs. Temperature Chart for 1000Ω Platinum 385 Curve, select and record the resistance values for the high and low temperatures in the desired range. Designate these values as LOW TEMP OHMS and HIGH TEMP OHMS.
- Step 3** Calculate the calibration factor using the ohms recorded in Step 2:

$$\text{CAL FACTOR} = \frac{\text{HIGH TEMP OHMS} - \text{LOW TEMP OHMS}}{16}$$

- Step 4** Using the resistance decade box, select a resistance value within one ohm of the low temperature ohms in Step 2. **Do not use a lower value.** Measure this resistance with the VOM and record the actual value accurate to hundredths of an ohm. This value will be referred to as MIN REF OHMS.

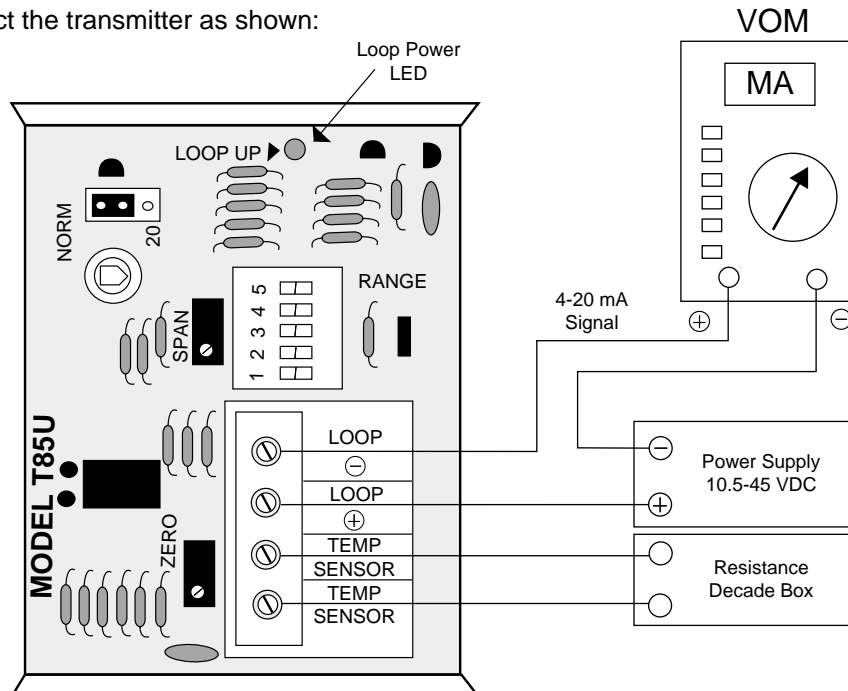
Select a resistance value within one ohm of the high temperature ohms in Step 3. **Do not use a higher value.** Measure this resistance with the VOM and record the actual value accurate to hundredths of an ohm. This value will be referred to as MAX REF OHMS.  
Calculate the low mA reference:

$$\text{LOW MA REF} = \frac{\text{MIN REF OHMS} - \text{LOW TEMP OHMS}}{\text{CAL FACTOR}} + 4$$

Calculate the high mA reference:

$$\text{HIGH MA REF} = \frac{\text{MAX REF OHMS} - \text{LOW TEMP OHMS}}{\text{CAL FACTOR}} + 4$$

- Step 5** Connect the transmitter as shown:



## RANGE CALIBRATION (CONTINUED)

**Step 6** Set DIP switches 1-5 by following these two steps:

- ① Set DIP switches 1 and 2 according to desired ZERO setting (LEFT position is ON and RIGHT position is OFF.):

DESIRED ZERO	SWITCH 1	SWITCH 2
-30° to 30°F (-34° to -1°C)	OFF	OFF
30° to 90°F (-1° to 32°C)	OFF	ON
90° to 150°F (32° to 66°C)	ON	OFF
150° to 210°F (66° to 99°C)	ON	ON



Example setting  
is 0° to 100°F

**Note:** If the desired ZERO is very close to a range boundary and after step 7 you cannot adjust the ZERO to the desired setting, change the switch setting to the next range and readjust the potentiometer.

- ② Set DIP switches 3, 4, and 5 according to desired SPAN (HIGH TEMP - LOW TEMP) setting:

DESIRED SPAN (Hi-Lo) = Span	SWITCH 3	SWITCH 4	SWITCH 5
40° to 90°F (22° to 50°C)	ON	ON	ON
90° to 120°F (50° to 67°C)	ON	ON	OFF
120° to 150°F (67° to 83°C)	ON	OFF	ON
150° to 180°F (83° to 100°C)	ON	OFF	OFF
180° to 200°F (100° to 111°C)	OFF	ON	ON
200° to 230°F (111° to 128°C)	OFF	ON	OFF
230° to 250°F (128° to 139°C)	OFF	OFF	ON
250° to 280°F (139° to 156°C)	OFF	OFF	OFF

**Note:** If the desired SPAN is very close to a range boundary and you cannot adjust the SPAN to the desired setting, change the switch setting to the next range and readjust the potentiometer.

**Examples:** Desired Range:      0° to 100°F (-18° to 38°C)      Set switches 1-5; 00110  
    -20° to 140°F (-29° to 60°C)      Set switches 1-5; 00100  
    30° to 240°F (-1° to 116°C)      Set switches 1-5; 00010  
    -10° to 90°F \*-23° to 32°C      Set switches 1-5; 00110

**Preset:** T91U-2 (00100), T91U-3 (00110), T91U-4 (00010).

**Step 7** Set the ZERO and SPAN potentiometers:

- Set the MIN REF OHMS on the decade box and adjust the ZERO potentiometer on the transmitter for the LOW MA REF calculated in Step 4.
- Set the MAX REF OHMS on the decade box and adjust the SPAN potentiometer on the transmitter for the HIGH MA REF calculated in Step 4.
- Repeat A and B and Step 6 as necessary.

### Special Notes on Field Calibration

The accuracy of a field-calibrated RTD transmitter is highly dependent on the accuracy of the ohmmeter used to measure the sensor substitution resistances (MIN and MAX REF OHMS). **The percent accuracy of the calibrated RTD transmitter is not the same as the percent accuracy of the ohmmeter.**

OHMMETER ACCURACY (% of reading)	TRANSMITTER ACCURACY	
	LOW TEMP	HIGH TEMP
1%	±4°F	±7°F
0.5%	±2°F	±3.5°F
0.25%	±1°F	±1.8°F
0.1%	±0.4°F	±0.7°F
0.05%	±0.2°F	±0.36°F

A Fluke Model 87 should provide an accuracy of approximately ±1.4°F at low temperatures and ±1.9°F at high temperatures.

A Fluke Model 8060 should provide an accuracy of approximately ±0.4°F at low temperatures and ±0.6°F at high temperatures.